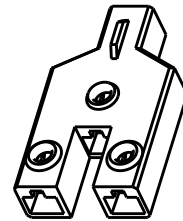
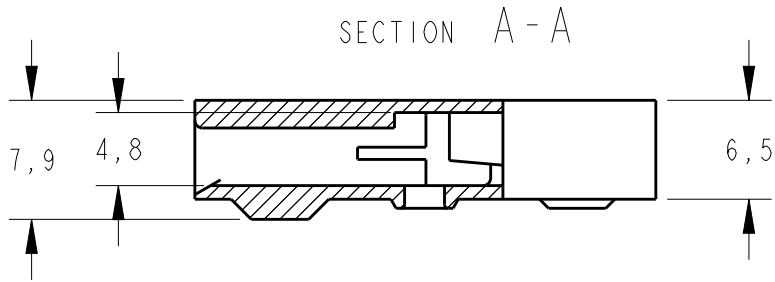
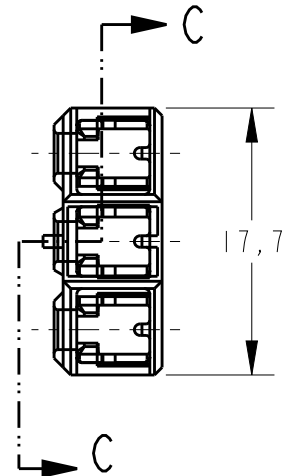
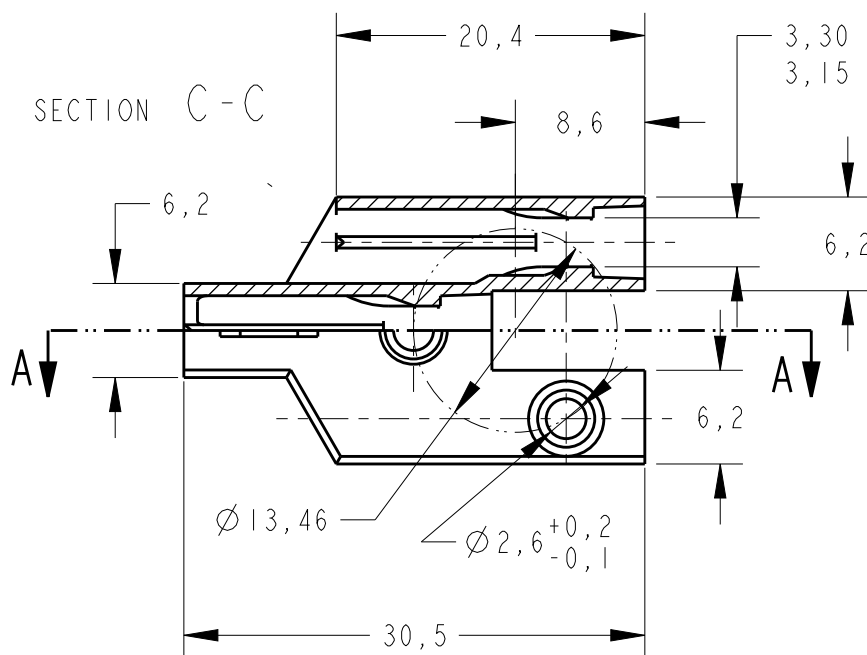


REVISIONS					
P	LTR	DESCRIPTION	DATE	DWN	APVD
	HI	REDRAWN BY CAD ECO-15-009410	24JUN2015	HC	WLS



SCALE 1:1



20  
RELEASED FOR PUBLICATION  
ALL RIGHTS RESERVED.  
BY -  
COPYRIGHT 20

NATURAL	POLIESTER-PBT-VALOX 310	880631-5
FINISH	MATERIAL	PART NUMBER

DIMENSIONS: mm

TOLERANCES UNLESS OTHERWISE SPECIFIED:

0 PLC	±
1 PLC	±0,3
2 PLC	±
3 PLC	±
4 PLC	±
ANGLES	±1°

DWN	24JUN2015
H.C. CANTERI	
CHK	24JUN2015
W.L. STEFANI	
APVD	-
PRODUCT SPEC	108-2008
APPLICATION SPEC	114-2019
WEIGHT	-

MATERIAL	-	FINISH	-
TE Connectivity		NAME	
		CLUSTER BLOCK HSG. 2,29 (.090)DIA.	
SIZE	CAGE CODE	DRAWING NO	RESTRICTED TO
A4	-	C=880631	-

Customer Drawing	SCALE	2/1	SHEET	1	OF	1	REV	HI
------------------	-------	-----	-------	---	----	---	-----	----